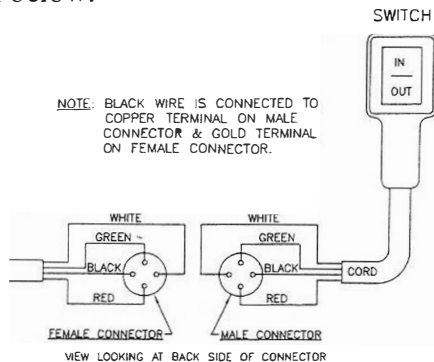


INSTALLATION INSTRUCTIONS

1. Disconnect electrical power. Cut remote control switch cord approximately 3” from the winch or in another preferred location.
2. Remove outer jacket 3/8” on both pieces of the cord and strip insulation ¼” on each wire.
3. Separate the two halves of the connector and remove the rubber boots. Place one rubber boot on each cord end. Connect the female half (with sockets) of the connector to the wire from the winch and connect the male half (with prongs) to the switch portion of the cord. See diagram below.

Be sure black wire is attached to the copper terminal on male connector and gold terminal on female connector.

4. Double check wiring diagram and insure that all wires are tight with no loose or exposed wire strands.
5. Push the rubber boots into place on each connector half. Check for proper winch operation.



Safety Rules

1. Special care should be taken with 115 volt AC winches as with any other 115 volt tools. It is recommended that whenever an AC winch is used out of doors that it be used with a ground fault circuit interrupter.
2. The winch should be used only with a three pronged grounded outlet.
WARNING: Do not remove the grounding prong on the power cord for any reason.
3. Do not operate the unit in the rain or when it is wet. Avoid using the winch around water or water pipes and never operate the winch while standing in water.
4. Periodically check the power cord for wear or frays which could cause electrical shorts or shocks.
5. Always disconnect power to winch when remote control switch cord is removed.