



No. 6371 Remote Switch - 12 Volt D.C.

INSTALLATION INSTRUCTIONS

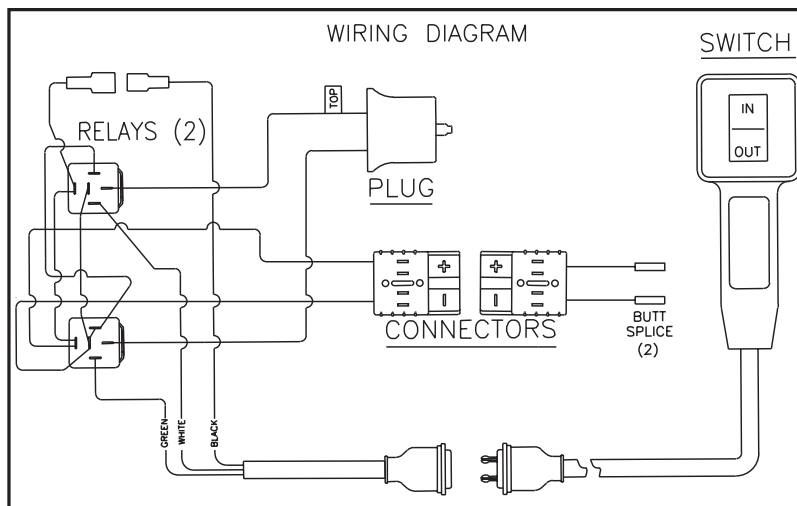
Use the following procedure to properly install this remote control kit on your SA5000, SA7000, SA9000 or SA12000 DC Electric Winch.

1. Determine a convenient location for mounting the solenoid box either on or near the winch. A recommended location on the winch is shown. Make certain the plug will reach the switch pocket in the winch housing. If the winch will be used out of doors, the hole where the wires enter the box must be mounted downward so that rain or other moisture does not enter and collect in the box. If mounting directly on the winch cover, use the four screws provided. They will thread directly into the plastic housing without drilling holes. If mounting in another location, use appropriate screws for the mounting surface.
2. Install the plug on the remote kit into the switch pocket in the winch housing. This may be a tight fit and a wiggling motion while inserting and removing the plug may be helpful. The wire marked "top" must be toward the top of the winch.
3. Using the switch harness which was provided with your winch, cut off enough wire to run from the battery to the Remote Switch box. **CAUTION:** Be certain that the wires are disconnected from the battery for this entire procedure. Strip the ends of the wires approximately 1/2" back and push the ends of both wires into the butt splice terminals connected to the short connector assembly. Make sure that the positive wire (end with circuit breaker attached) goes into wire coming from connector marked (+) and ground wire goes into wire coming from connector marked (-). Crimp the wires to the butt splice using a crimping tool or using a hammer.



4. Check to be sure the wires are crimped tightly and that there is no bare wire exposed. Reconnect the wiring harness (circuit breaker) to the battery. **NOTICE:** The circuit breaker provided with your original harness must remain in the positive circuit. Also make sure the ground wire is tight and making a good connection.
5. Your winch should now be ready to operate. Attach the red power line connectors and the remote switch cord. Pushing the switch "IN" should cause the winch to reel in cable and pushing the switch "OUT" should cause the winch to pay out cable.

⚠ CAUTION: It is recommended that the switch handle be stored in a location to avoid tampering by small children or other unauthorized personnel.



A Dependable Company Since 1886
DUTTON-LAINSON COMPANY
Hastings, NE 68902 U.S.A. • Tel 402-462-4141 • Fax 402-460-4612
www.dutton-lainson.com • E-mail: dlsales@dutton-lainson.com

MADE IN
U.S.A.