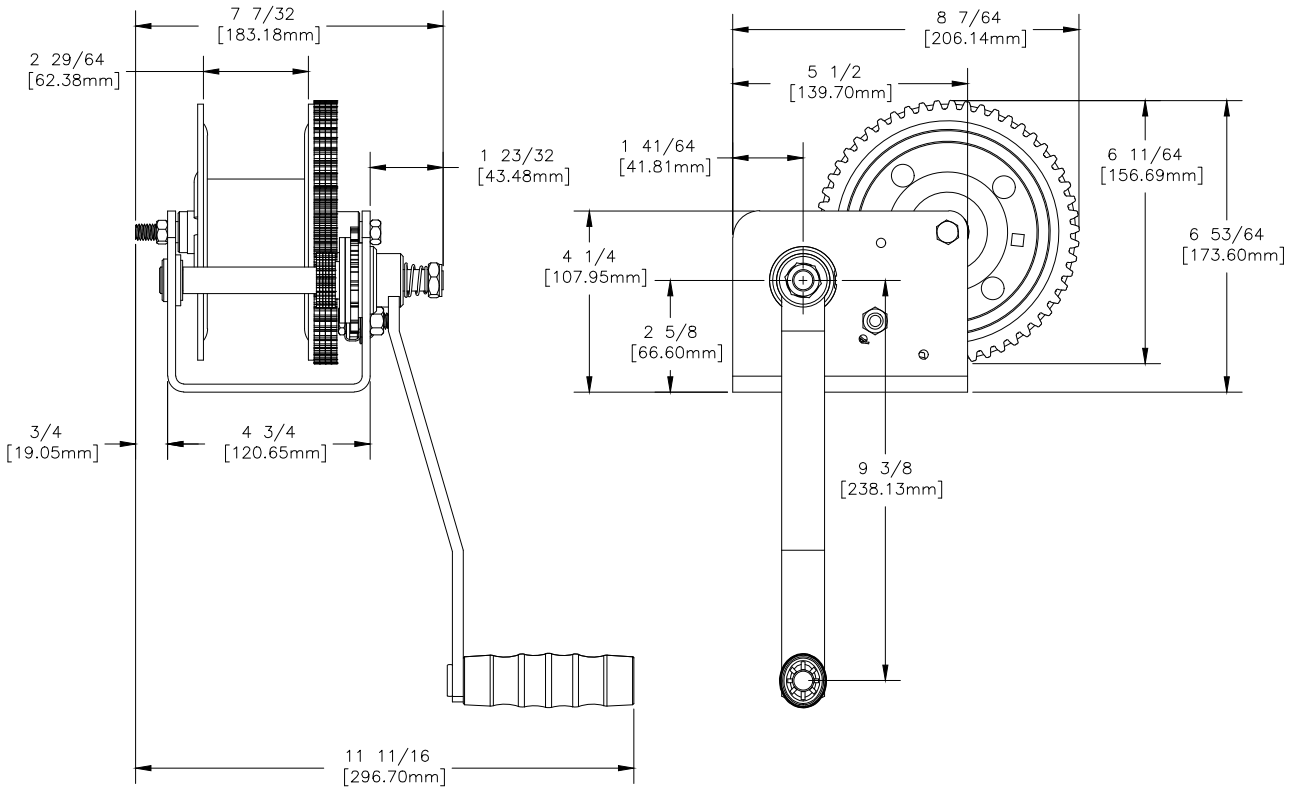


MODEL  
DLB1500A/DLB1505A  
1500lb/680kg CAPACITY  
BRAKE WINCH

FRONT & SIDE VIEW



BASE HOLE PATTERN

