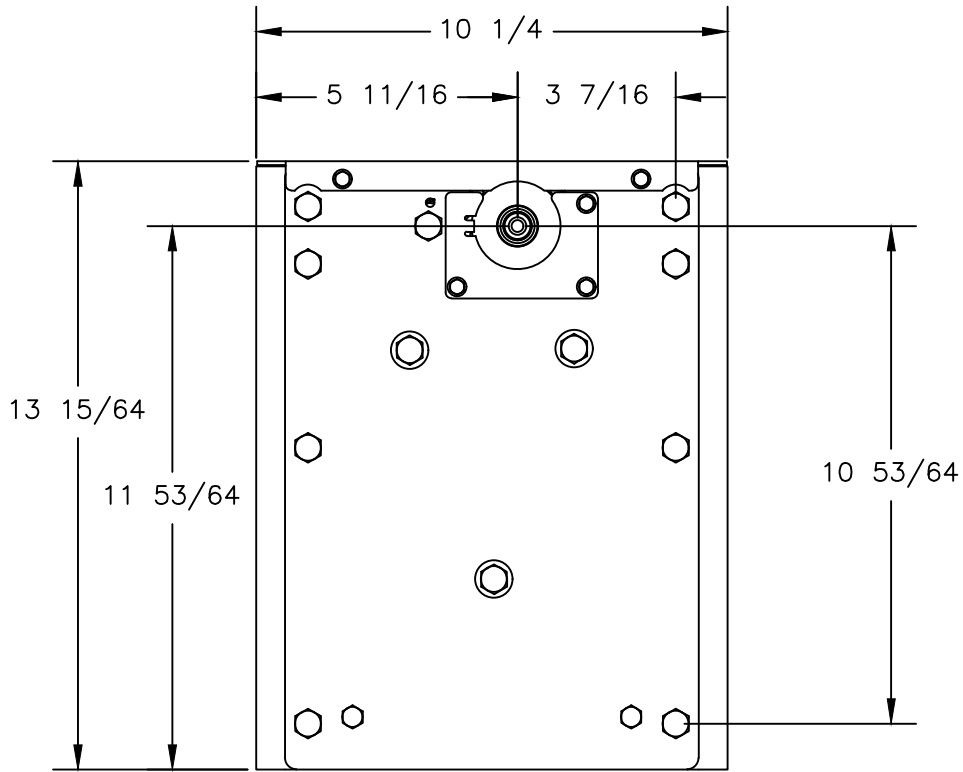
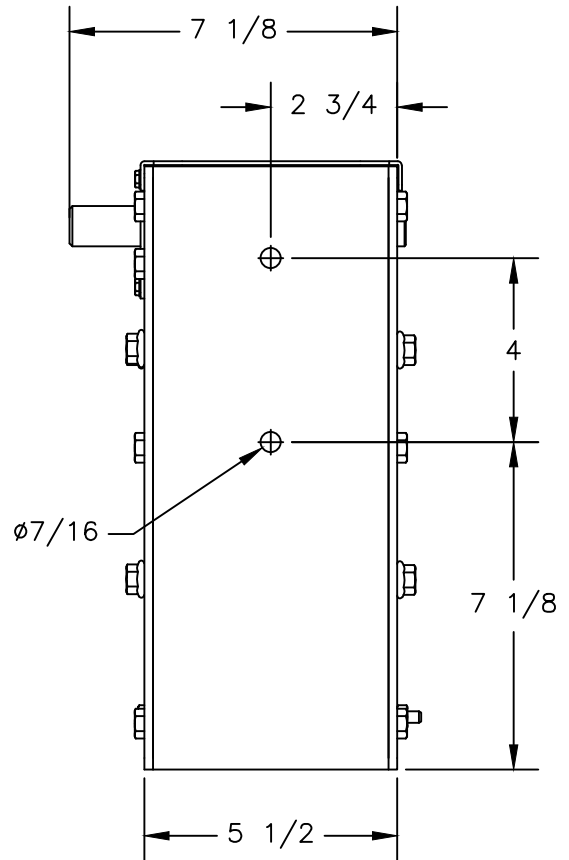


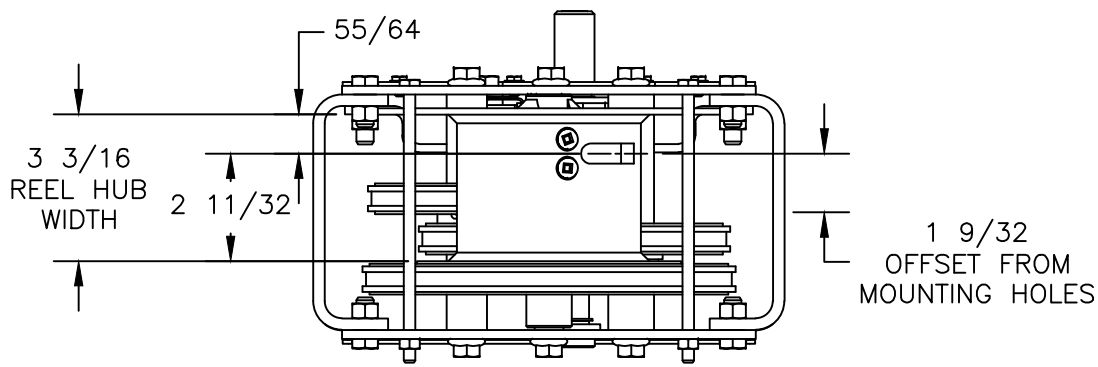
MODEL
 CD4500
 DRUM HUB DIA. - 4 INCH
 GEAR RATIO - 25.1:1
 SINGLE LINE CAPACITY - 2250 LB/1020 KG
 DOUBLE LINE CAPACITY - 4500 LB/2041 KG
 BOAT LIFT WINCH



FRONT VIEW



SIDE VIEW
 (MOUNTING HOLE
 PATTERN SAME ON
 BOTH SIDES)



BOTTOM VIEW