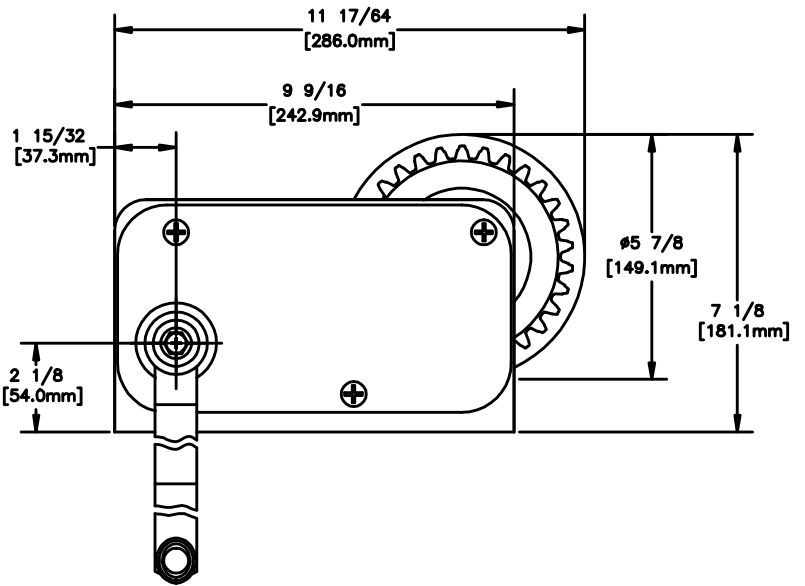
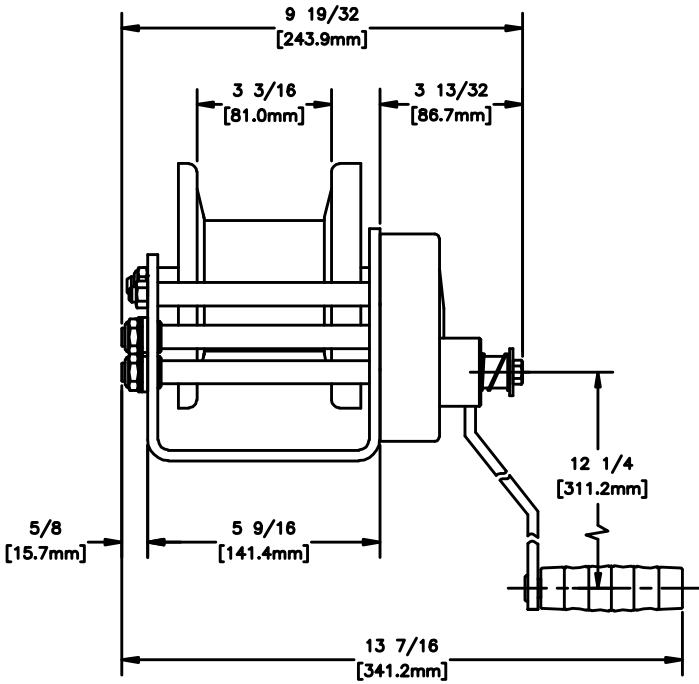


MODEL B3503  
3500lb/1589kg CAPACITY  
BRAKE WINCH

FRONT & SIDE VIEW



BASE HOLE PATTERN

